


REFERENCE DRAWINGS	
DRAWING TITLE	DRAWING NUMBER
ELECTRICAL LOAD LIST	AGCL/RO/SLD/CNG-001

LEGENDS :-		
S.NO.	LEGENDS	DESCRIPTION
1.	VFD	VARIABLE FREQUENCY DRIVE
2.	S/D	STAR DELTA STARTER
3.	SW	SWITCH
4.	BATT	BATTERY
5.	INVT	INVERTER
6.	IND	INDICATION LAMP
7.	PB	PUSH BUTTON
8.	F	FREQUENCY METER
9.	PF	POWER FACTOR METER
10.	V	VOLTMETER
11.	A	AMMETER
12.	KWH	ENERGY METER
13.	ASS	AMPERE SELECTOR SWITCH
14.	VSS	VOLTAGE SELECTOR SWITCH
15.	ELL	ELECTRICAL INTERLOCK
16.	SSVS	SOLID STATE VOLTAGE STABILIZER
17.	MCCB	MCCB
18.	MCB	MCB
19.	CON	CONTACTOR
20.	CT	CURRENT TRANSFORMER
21.	IT	ISOLATION TRANSFORMER
22.	MFM	MULTIFUNCTION METER
23.	EL	EARTH
24.	O/L	OVER LOAD
25.	S/C	SHORT CIRCUIT
26.	NO. OF CORE IN CABLE	NO. OF CORE IN CABLE
27.	DOL	DOL STARTER
28.	ISOL	ISOLATOR
29.	BPS	BEST PHASE SELECTOR

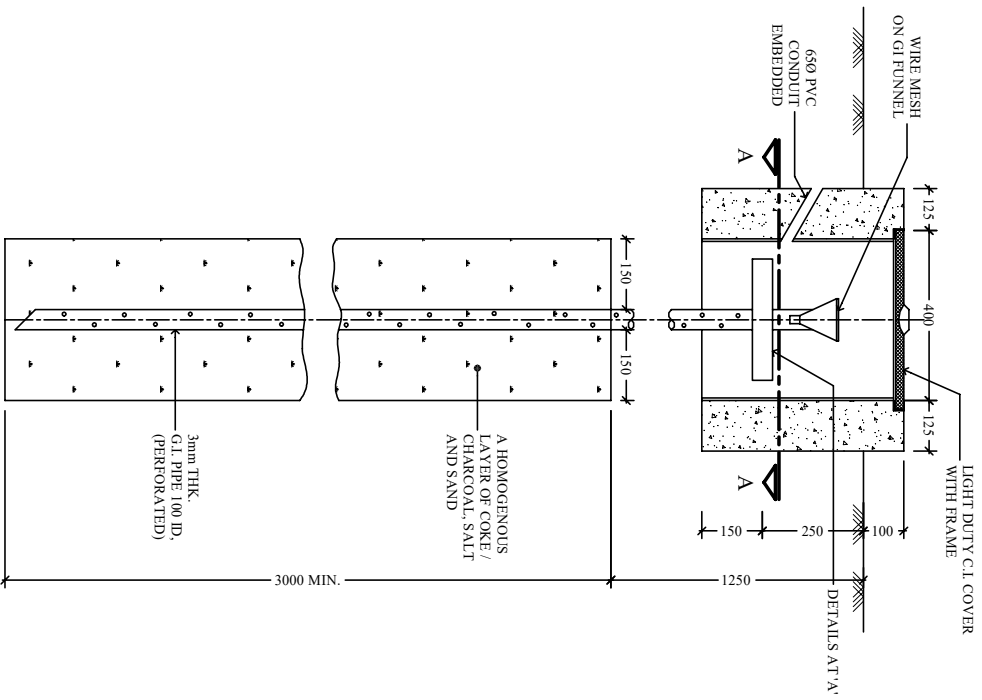
REV	DATE	DESCRIPTION	RD	NK	AD

OWNER:  ASSAM GAS COMPANY LTD.

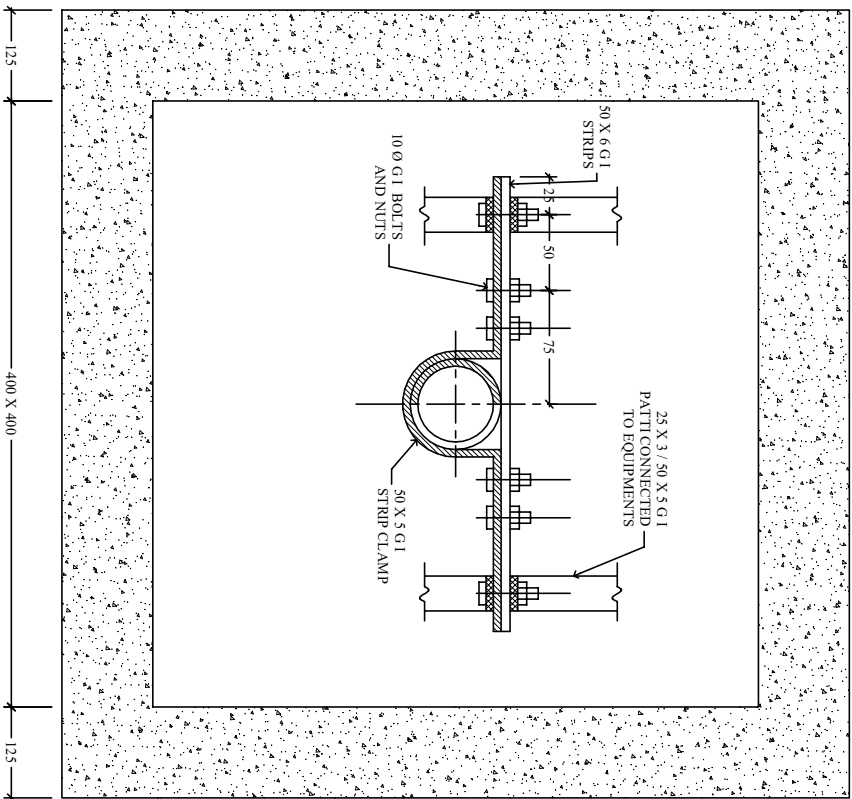
PROJECT: DEVELOPMENT OF CNG STATION/RETAIL OUTLETS AT ASSAM.

DWG. TITLE : **TYPICAL SINGLE LINE DIAGRAM FOR 400 SCMH COMPRESSOR**

SCALE	JOB NO.	DRAWING NUMBER	REV.
NTS		AGCL/RO/SLD/CNG-001	



**TYPICAL ARRANGEMENT  
OF PIPE ELECTRODE**



**SECTION AT 'A-A'**

NOTE : AFTER LAYING THE EARTH FROM THE EARTH BUS TO THE ELECTRODE THROUGH THE PVC CONDUITS AT THE PIT ENTRY CONDUITS SHOULD BE SEALED WITH BITUMIN COMPOUND.

RELEASED FOR CONSTRUCTION

SHEET : 1/1

PAGE No. 000

**Assam Gas Company Ltd**

SUB : DETAILS - PIPE EARTHING

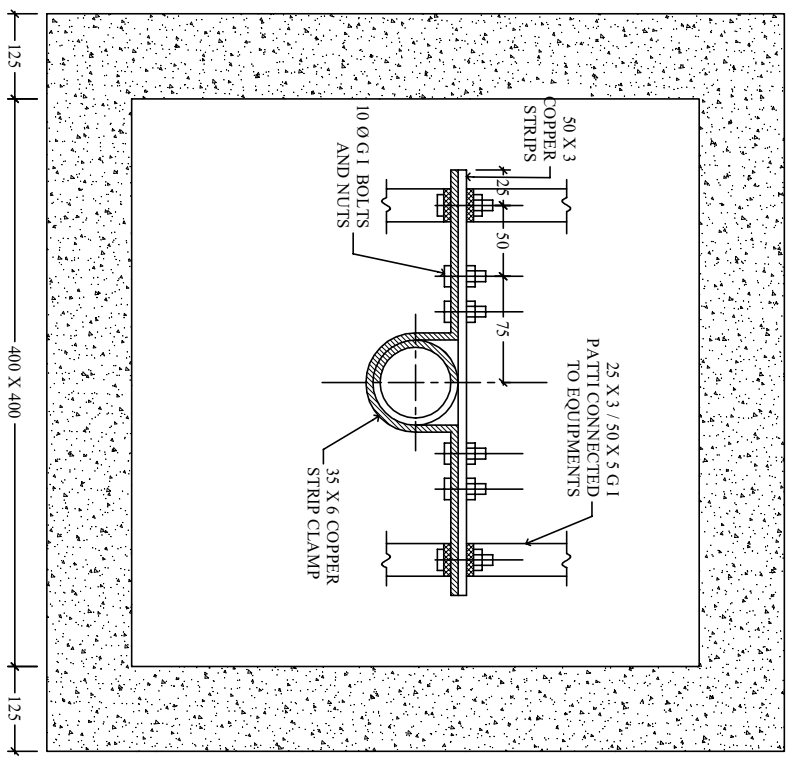
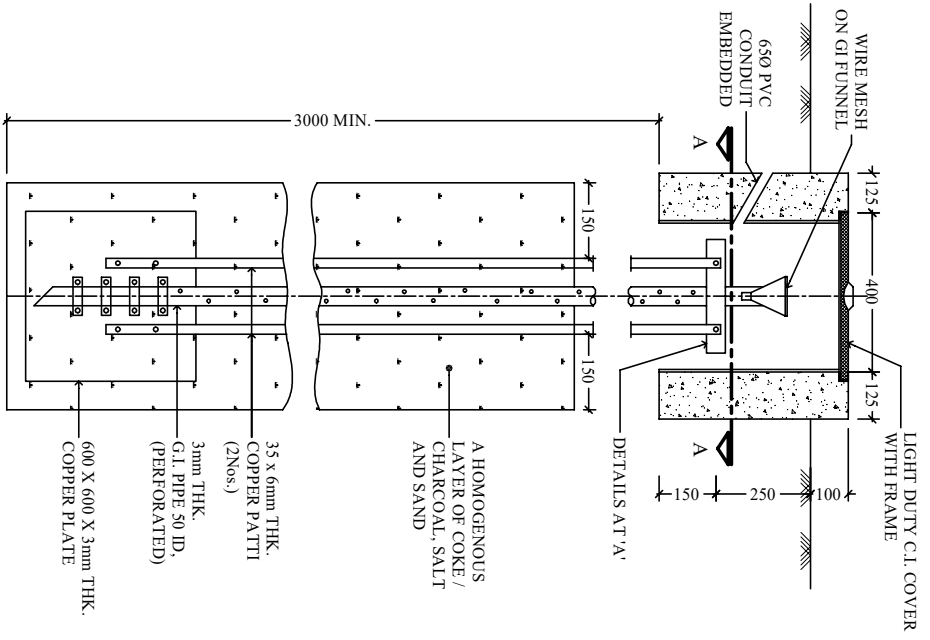
REV. NO. : R0

DRG NO. : AGCL/SD/PIPE-EARTH

DATE : 17/06/2023

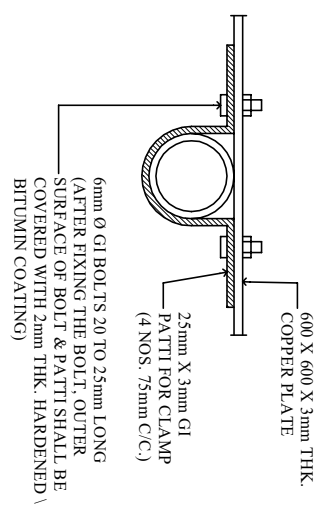
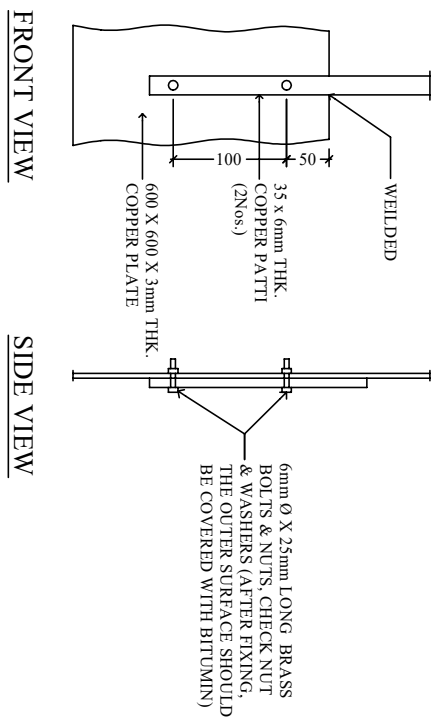
**PIPE EARTHING DETAILS**

PARASHIVA ENTERPRISES - MUMBAI



**TYPICAL ARRANGEMENT OF PIPE ELECTRODE**

NOTE : AFTER LAYING THE EARTH FROM THE EARTH BUS TO THE ELECTRODE THROUGH THE PVC CONDUITS AT THE PIT ENTRY CONDUITS SHOULD BE SEALED WITH BITUMIN COMPOUND.



RELEASED FOR CONSTRUCTION

SHEET : 1/1 PAGE No. 000

**COPPER PLATE EARTHING DETAILS**

<b>Assam Gas Company Ltd</b>	
SUB : DETAILS - COPPER PLATE EARTHING	REV. NO. : R0
DRG NO. : AGCL/SD/CO-PLATE EARTH	DATE : 20/06/2023
PARASHIVA ENTERPRISES - MUMBAI	